

1080P Zoom Lens IR PTZ Camera

IPC742SR9-PZ30-32G



Key Features

PTZ

- Precision motor with accuracy deviation less than 0.1 degree.
- Pan range 250°, tilt range -50° to 50°
- Pan speed up to 30°/s, tilt speed up to 10°/s

Optics

- Smart IR, up to 100m (328 ft) IR distance
- 2X Optical Zoom & Auto Focus
- IR anti-reflection window to increase the infrared transmittance
- Day/night functionality

Compression

- H.265, H.264, MJPEG
- Embedded smart algorithm
- Triple streams
- Customized OSD

Network

- ONVIF Conformance

Structure

- Support PoE power supply
- Wide temperature range: -35°C to +60°C (-31°F to +140°F)
- Wide voltage range of ±25%

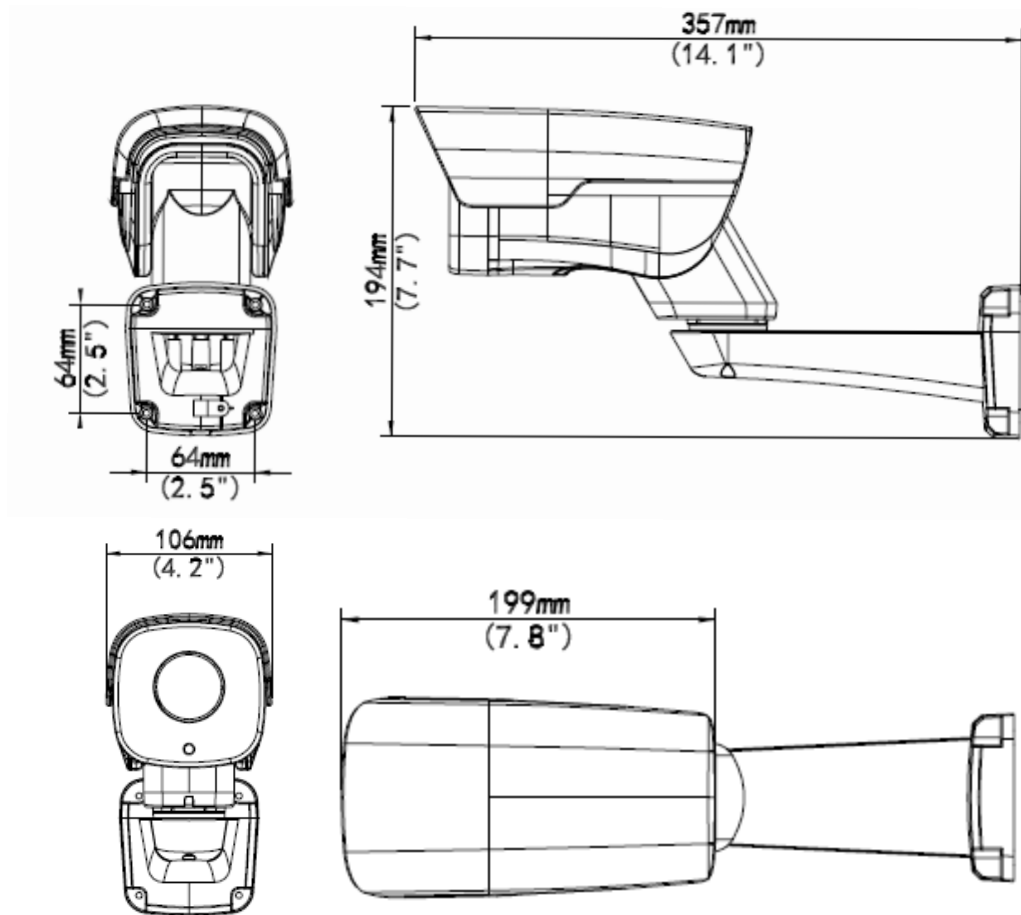
- IP66

Specifications

Camera	IPC742SR9-PZ30-32G
Sensor	1/2.8", 2 megapixel, progressive scan CMOS
Lens	3 ~ 6 mm
Iris	Auto/Manual, F1.8
Zoom/Focus	2X optical zoom, 16X digital zoom
Shutter	Auto/Manual, 1/6s ~ 1/100000s
Minimum Illumination	Color: 0.02 Lux (F1.8, AGC ON) 0 Lux with IR on
IR Range	100m (328 ft) IR range
Day/Night	IR-cut filter with auto switch (ICR)
S/N	>52dB
WDR	Digital
Noise Reduction	2D/3D
Video	
Max. Resolution	1920×1080
Video Compression	H.265, H.264, MJPEG
Frame Rate	1080P (1920×1080): Max. 30 fps, 720P(1280×720): Max. 30 fps; D1 (720×576): Max. 30 fps
Video Streaming	Triple streams
ROI	Supported
HLC	Supported
Evaluative Metering	Supported
OSD	Up to 8 OSDs
Privacy Mask	Up to 4 areas
Smart	
Behavior Detection	Intrusion, crossing line, motion detection
Exception Detection	Audio detection
Intelligent Identification	Face detection
Statistical Analysis	People counting
Audio	
Audio Compression	G.711
Two-way Audio	Supported
Storage	
Edge Storage	Built-in 32 GB eMMC
Network	
Protocol	L2TP, IPv4, IGMP, ICMP, ARP, TCP, UDP, DHCP, PPPoE, RTP, RTSP, RTCP, DNS, DDNS, NTP, FTP, UPnP, HTTP, HTTPS, SMTP, SIP, 802.1x
Compatibility	ONVIF, API

Structure	
Pan Range	250°
Pan Speed	0.1°/s ~ 30°/s
	Preset speed: 30°/s
Tilt Range	-50° ~ 50°
Tilt Speed	0.1°/s ~ 10°/s
	Preset speed: 10°/s
Number of Presets	400
Patrol	Up to 16 patrols, up to 32 presets per patrol Note: The total number of patrols and patterns is 16.
Interface	
Audio I/O	3.5 mm connector
	Input: impedance 35 kΩ; amplitude 2 V [p-p]
	Output: impedance 600 Ω; amplitude 2 V [p-p]
Alarm I/O	2 / 1
Network	10M/100M adaptive Ethernet
General	
Power	12 V DC±25%, PoE (IEEE802.3at)
	Power consumption: Max. 17.23 W
Dimensions	357 mm × 106 mm × 194 mm (14.1" × 4.2" × 7.7")
Weight	1.16 kg (2.6 lb)
Working Environment	-35°C to +60°C (-31°F to 140°F), ≤ 95% RH
Ingress Protection	IP66

Dimensions



Accessories

Installation mode	Accessories	Description
Wall mount	\	Mounting pedestal is included in the Product package
Ceiling mount	\	Mounting pedestal is included in the Product package

Zhejiang Uniview Technologies Co., Ltd.

South Tower, Building 10, Wanlun Science Park, 88 Jiangling Road, Hangzhou, P.R.China 310051

Email: overseasbusiness@uniview.com; globalsupport@uniview.com

<http://www.uniview.com>

©2016-2017 Zhejiang Uniview Technologies Co., Ltd. All rights reserved.

*Product specifications and availability are subject to change without notice.